



### Mullahead Tractor Pulling Committee Farm Stock Rules

**MTPC** = Mullahead Tractor Pulling  
Committee

**Pit or Pits** = Tractor parking  
area.

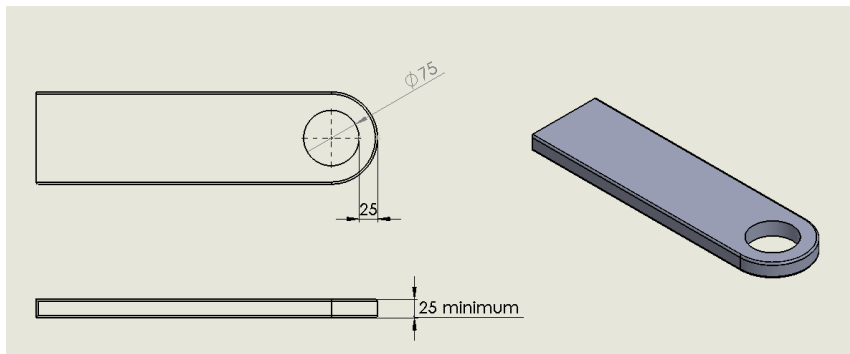
#### 1. The Competitor

- 1.1. Competitor has good knowledge of rules stated.
- 1.2. **ONE TRACTOR, ONE DRIVER, ONE CLASS FOR 7.5T, 8.5T & 10.5T TRACTORS. LADY COMPETITORS ARE ABLE TO USE TRACTORS ALREADY COMPETING UNDER 8.5T. MAX 6 LADY COMPETITORS**
- 1.3. Competitor must be at least 18 years old, or 16 years old and in possession of valid tractor driver's license.
- 1.4. Competitor takes part in event entirely at own risk.
- 1.5. Engine of a competing vehicle may only be started if driver is seated. Driver may only leave vehicle if engine has stopped completely.
- 1.6. Only the driver is allowed on a vehicle when it is towed or driving. NO riders in or on any vehicle on the entire grounds.
- 1.7. It is strictly forbidden for a driver and/or assistant under the influence of alcohol or any other type of drugs to compete or be on the track or the entire grounds. Breaking this rule will be cause for disqualification for the complete event.
- 1.8. Only the driver and the assistant are allowed on the track. If another member of the team enters the track area without permission disqualification may follow. The track is the area within the gates, including staging area after the weigh bridge.
- 1.9. Un-sportsman like conduct including abusive language and/or physical action towards event official, fellow competitor or spectator will be just cause for total disqualification from the event.
- 1.10. Every competitor has the right to file a protest in writing against another competitor in his class, if it is his opinion that the vehicle is not according the rules, or against the event jury. A protest form can be obtained from the competition leader, accompanied by a £40/€50 deposit.
- 1.11. Every competitor has to come in front of the sled on his own power and has to leave the track after the pull on his own power, with the exception of breakage.
- 1.12. Driving on the entire grounds has to be at walking speed. Breaking this rule will be just cause for exclusion from the event.
- 1.13. The competitors in a class have to line up in starting order, following the directions of the competition leader or an appointed official.
- 1.14. A competitor has to be properly insured at all times. Before the start of the competition the competitor has to sign for this.

#### 2. The Tractor

##### 2.1. Drawbar

- 2.1.1. The drawbar can not have any mechanical and/or constructive link with a point above the centre line of the rear axle.
- 2.1.2. The drawbar must be rigid in all directions.
- 2.1.3. The drawbar must be parallel to the ground.
- 2.1.4. The hook point can not be higher than 500mm, measured from the ground.
- 2.1.5. A drawbar shorter than 450 mm, measured from the centre of the rear axle, is not allowed.
- 2.1.6. Competitors may choose to pull on a standard manufacture's drawbar or a competition spec drawbar as shown in figure 1.
- 2.1.7. In the event that a marshal deems the competition spec drawbar to be of unsafe standard, it is advisable that any competitor who opts to run with a competition spec draw bar also bring with them the manufacture supplied drawbar.



**Figure 1 Competition Spec Drawbar (All dimensions stated are in mm. For length refer to rule 2.1.5)**

## 2.2. Loaders

- 2.2.1. Front loader frames only may be allowed, following inspection and approval by an MTPC Official.
- 2.2.2. No buckets, forks or weights are allowed to be fitted to loaders.
- 2.2.3. The tractor may not have both weights and loader frame fitted.

## 2.3. Tractor Fittings

- 2.3.1. Competitors may be asked to remove homemade weights if they are considered to be unsafe. Weights shall be determined allowable or not allowable solely at the decision of the MTPC.
- 2.3.2. In the interest of safety there must be a proper secured seat fitted to the tractor.
- 2.3.3. The MTPC reserve the right to disallow a tractor to take part in a competition, if they deem the tractor unsafe, unacceptable or non-compliant with the rules.

## 2.4. Weights

- 2.4.1. All Drivers must submit tractors for weight classification.
- 2.4.2. The total weights mentioned are including the driver.
- 2.4.3. No weights may extend rearward beyond the rear tyres.
- 2.4.4. Weights must not pose any danger to the driver, or interfere with his mobility in any way.
- 2.4.5. The weights must be mounted rigidly and not be moveable on the tractor.
- 2.4.6. The front weights and/or front weight carrier may not extend further forward than 1100mm to the front of the vehicle, measured from the front of the grill, excluding front hook point.
- 2.4.7. A space of 300mm wide and 400mm high above the drawbar has to be clear of any obstacle (including weights and stabilizer bars) for easy access during hooking and unhooking of the sled chain.
- 2.4.8. A competitor has to be able to drive his tractor over the weigh bridge without the weights touching the weigh bridge in any way.

## 2.5. Rear Lift Arms

- 2.5.1. No weights allowed on rear lifting arms.
- 2.5.2. Rear lift arms must be kept in the down position during the pull.

## 2.6. Tyres

- 2.6.1. Only rubber tyres are allowed. Steel cams, chains or something like that are not allowed.
- 2.6.2. The total width of the tractor may not be over 3000mm.
- 2.6.3. The maximum width of the tyre is 30,5inch or 800mm in combination with a rim diameter of maximum 32inch.
- 2.6.4. If the width of the tyre is equal to or smaller than 710mm, then the maximum diameter of the rim is 42inch. In the 7.5, 9 and the 11.5 tonne classes a rim diameter of 42 inch is allowed with a maximum tyre width of 800mm.
- 2.6.5. The width of the tyre is defined by the figures put on the tyre by the manufacturer.
- 2.6.6. Double tyres are allowed with a maximum rim diameter of 38inch. The total maximum width is 800mm, measured between the heel of the cam from the inner and outer cams of the respective inner and outer tyre.

### 3. The Competition

- 3.1. Entry forms and entry fees must be paid before attempting to take part in any pulling event.  
**NO MONEY WITH ENTRY FORM NO PULL**
- 3.2. All tractors must be in the pits, registered and weighted at least 1 hour before the start of the competition.
- 3.3. All tractors must remain within the track or pit boundaries during the competition or else be disqualified.
- 3.4. There has to be at least three entrants in a class for that class to take place.
- 3.5. A tractor may only be entered in the class which it is categorized for or above, and may be entered in more than one class, provided the appropriate additional entry fee is paid.
- 3.6. All drivers/pullers are responsible to know when they are pulling. No delays will be tolerated and entry fees are non refundable.
- 3.7. A pull is considered over when the forward movement of the sled has stopped or has been flagged/signaled as over by one of the judges.

### 4. Safety & Responsibility

- 4.1. Drivers must operate their tractors in a responsible and safe manner both during a pull and in the pits. Any activities which may be classed as dangerous will lead to instant disqualification, in which case entry fees are non-refundable.
- 4.2. The MTPC, organizers, field owners, and festival organizers assumes no liability for any loss or injury caused to any competitor or any third party, injured by any tractor, or any other vehicle or equipment during the event.
- 4.3. All tractor drivers and owners are responsible for their own tractors and equipment and any loss or injury caused to any competitor or third party, injured by their tractor, or any other vehicle or equipment owned by them.
- 4.4. The MTPC, show committee, and the safety stewards reserve the right to postpone, disrupt or cancel the event in the interest of safety, and reserve the right to refuse entry, or disqualify a competitor if all rules are not being adhered to. The MTPC's decision is final.
- 4.5. All tractors must be out of gear and must have handbrake applied for the hooking up and hooking off of the sled.
- 4.6. All tractor drivers and owners must insure that any tractor(s) which he or she will use to take part in a tractor pulling event is fully covered by a valid insurance policy, and that the tractor(s) are in perfect working order with workable brakes etc.

### 5. Disputes

- 5.1. All disputes or complaints must be submitted in writing on the day of the event, to the show organizing committee and the MTPC.
- 5.2. Any dispute over the classification of a particular tractor will be settled solely at the discretion of the MTPC. The MTPC's decision is final.
- 5.3. In the event of any dispute, incident or other unforeseen happening, the MTPC reserves the right of final judgment.